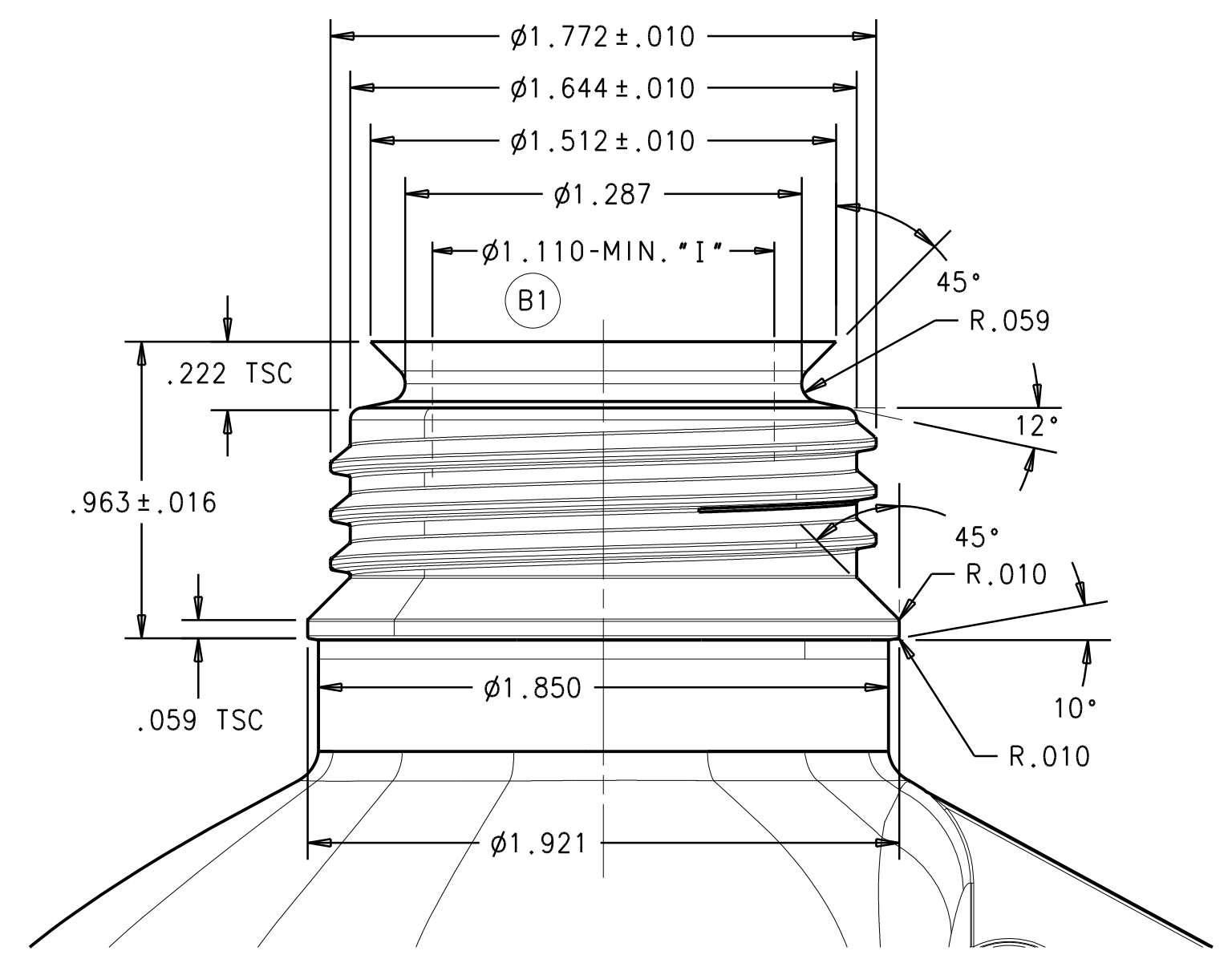
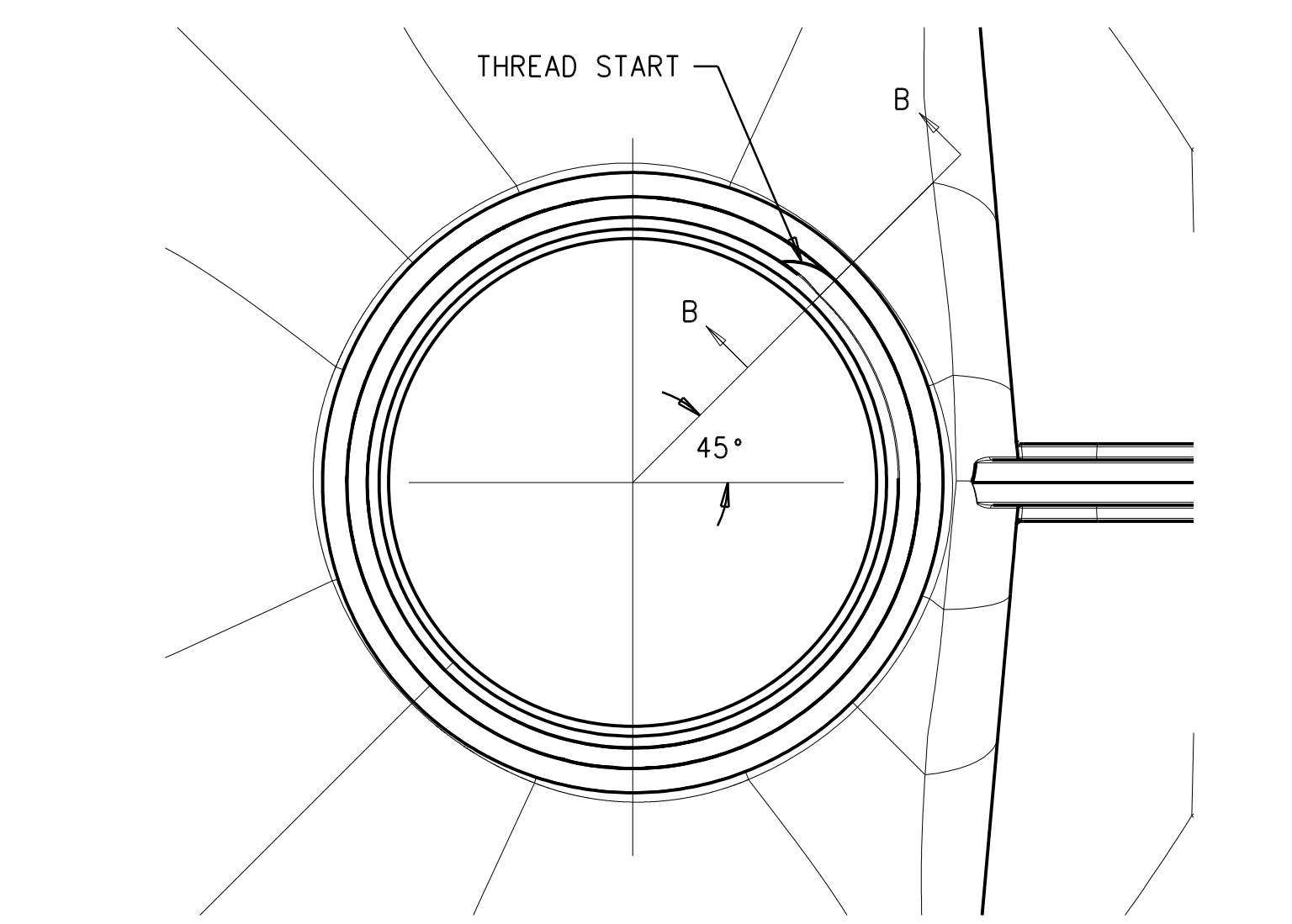
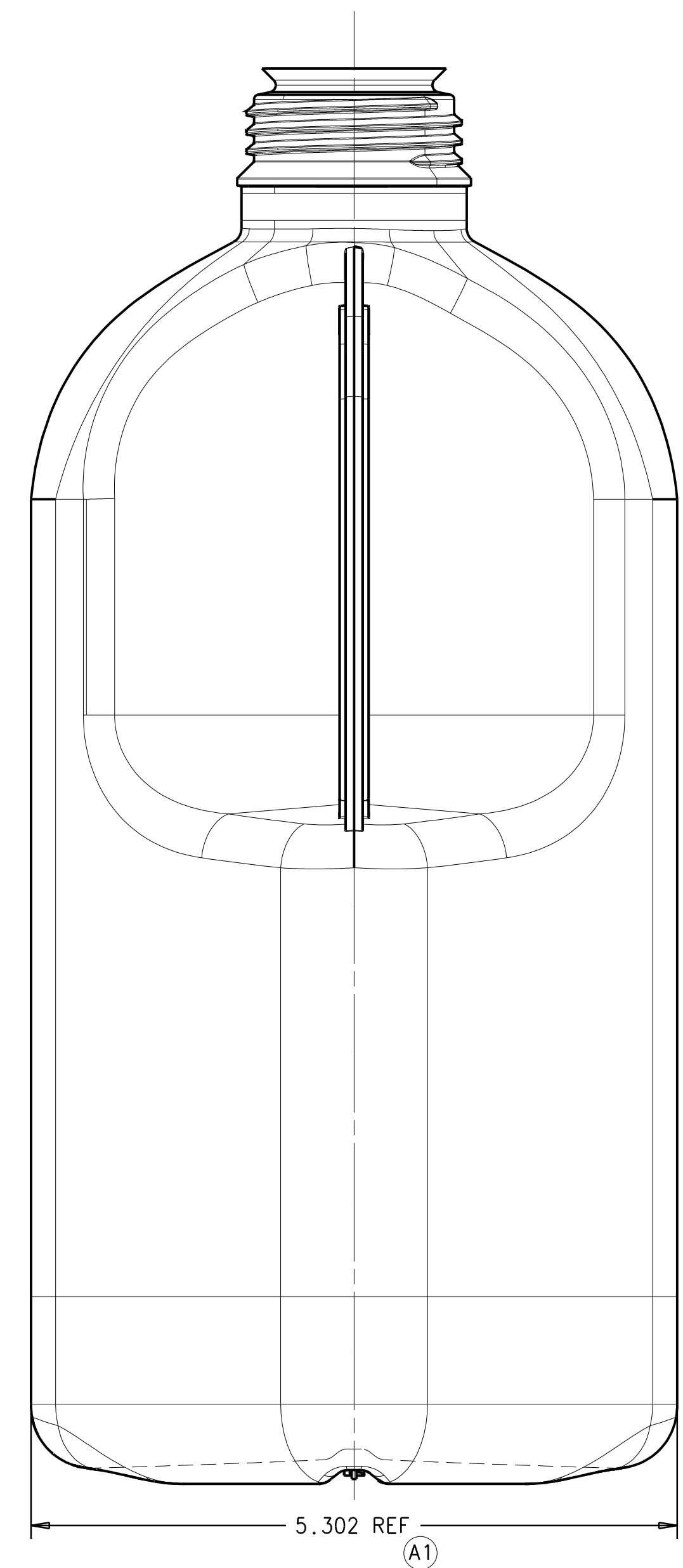
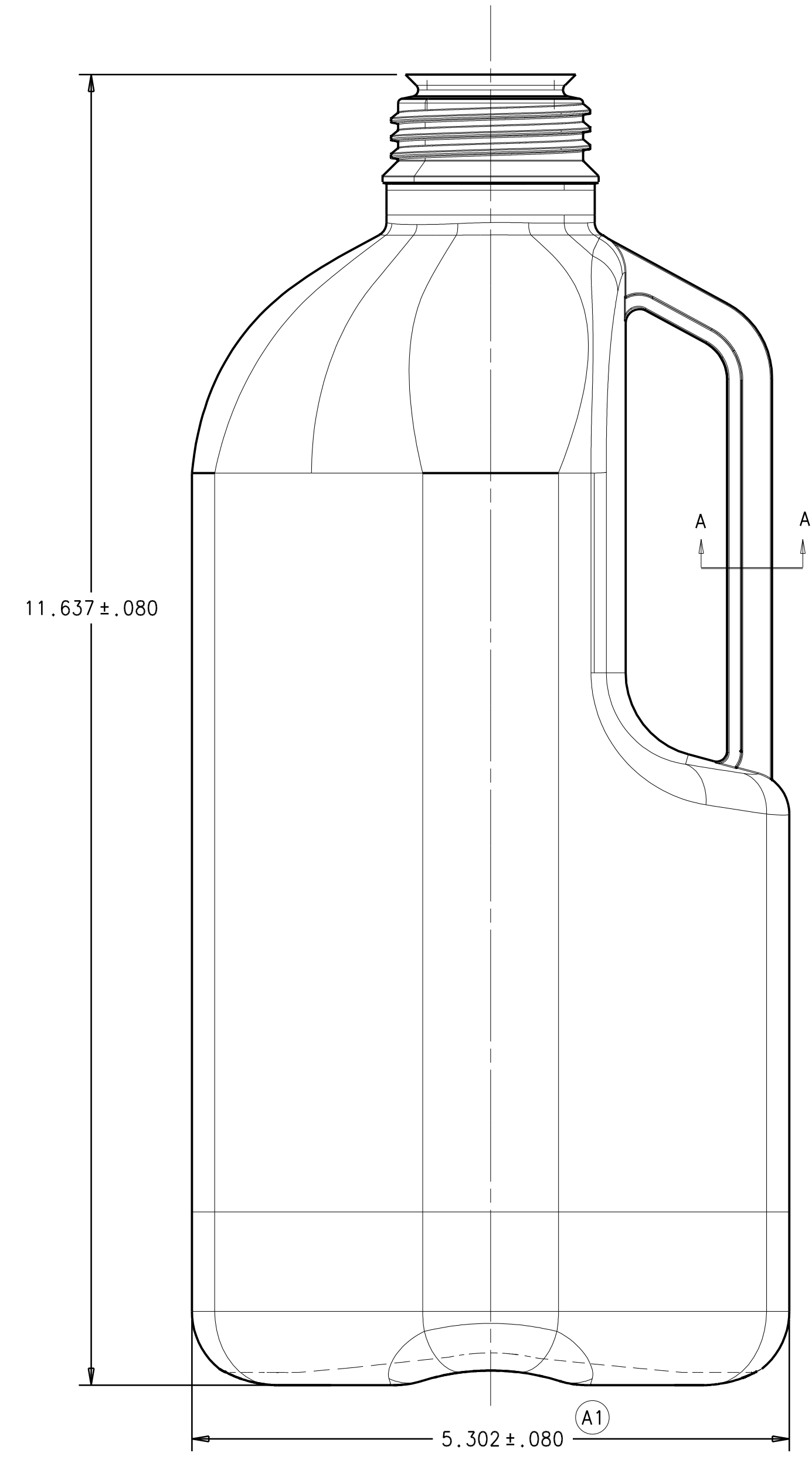
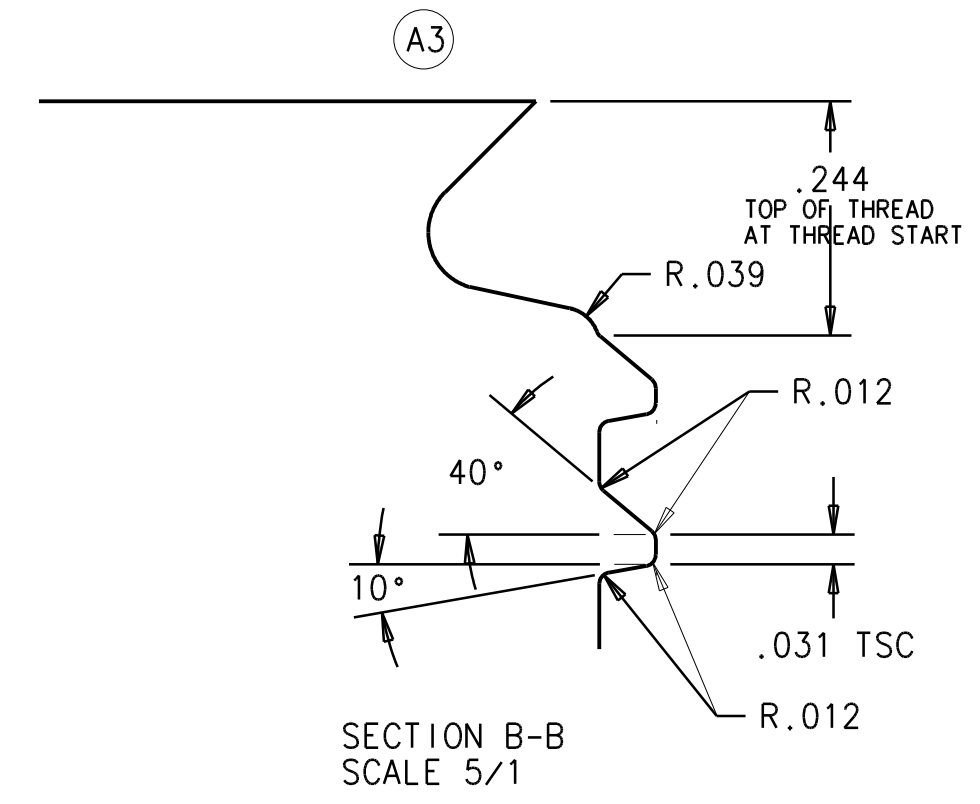
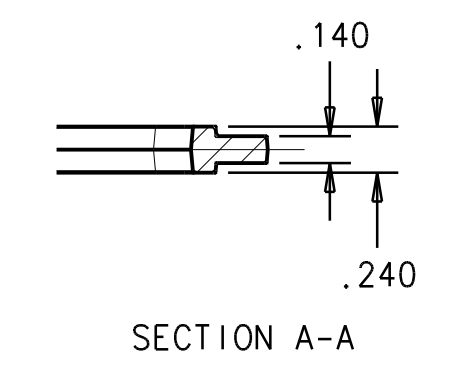
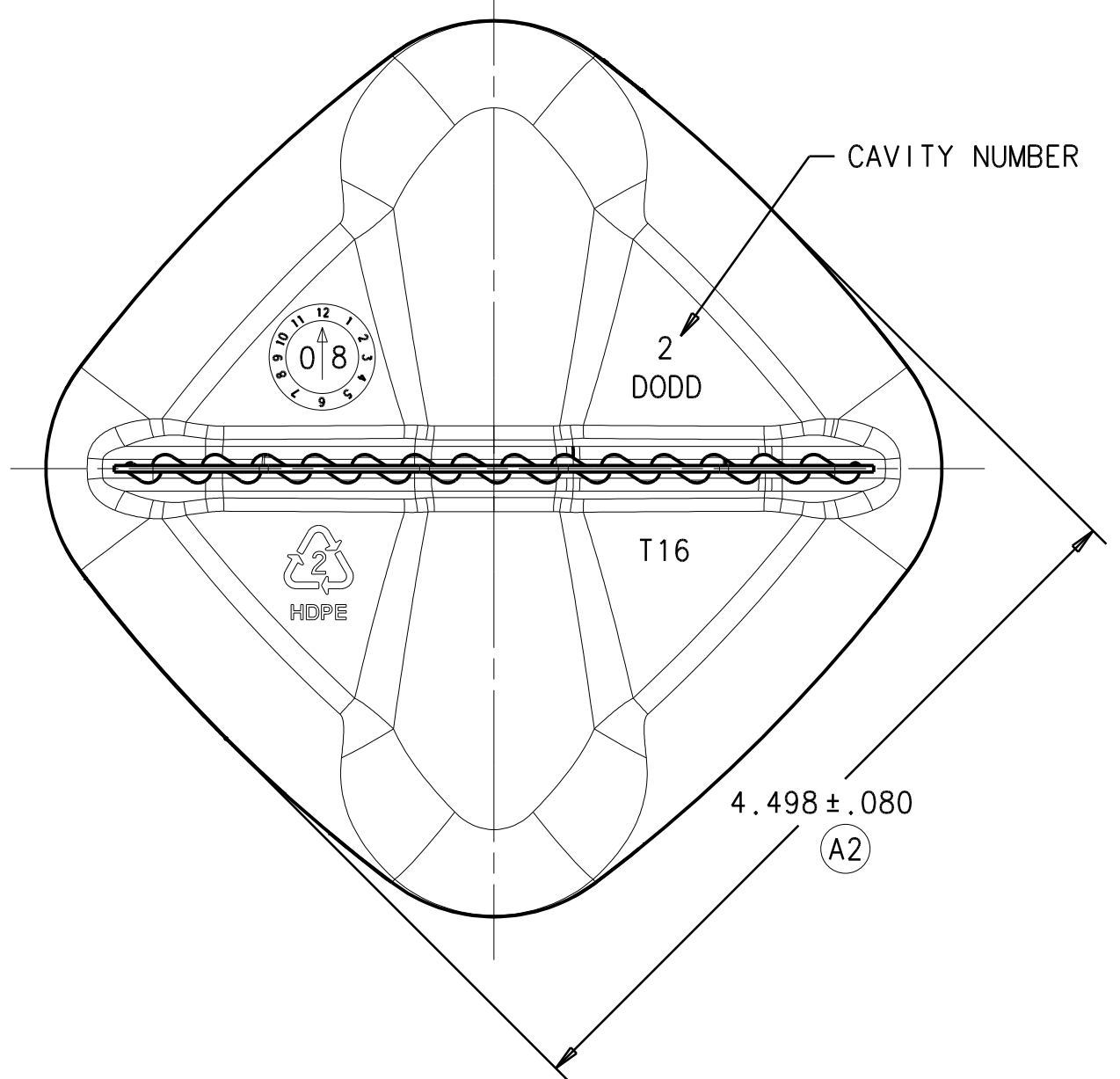


LET	PER	REVISION	BY	DATE
A1		WAS 5.307	WRA	11-20-08
A2		WAS 4.502	WRA	11-20-08
A3		SEALING BEAD REMOVED	WRA	11-20-08
A4		WAS 2.5 LITERS	WRA	11-20-08
B1		*I* WAS 1.130±.012	J.A.	12-10-08



NECK FINISH DETAIL
SCALE 2/1



- NOTES:
 1) MATERIAL- PPQ RESIN, NATURAL
 2) WEIGHT- 208±8 GRAMS
 3) OVERFLOW CAPACITY 2476 ±24CC (A4)

NOTE: THIS IS A PRELIMINARY PRODUCT DRAWING. SPECIFICATIONS ARE SUBJECT TO CHANGE.

ALL NECK FINISH DIAMETER DIMENSIONS ARE THE AVERAGE OF TWO MEASUREMENTS TAKEN ACROSS THE MAJOR AND MINOR AXIS. THE LIMITS OF OVALITY ARE (.036)

REFERENCE	THIS DOCUMENT CONTAINS PROPRIETARY INFORMATION AND MAY NOT BE DISCLOSED TO OTHERS OR USED FOR MANUFACTURING PURPOSES WITHOUT WRITTEN PERMISSION FROM SECO.	DESIGNED BY WRA	DATE 11-11-08	 A SUBSIDIARY OF PLASTICORP CORPORATION 4875 EAST HUNTER AVENUE, P.O. BOX 68008, ANAHEIM, CA 92817-0808
		DRAWN BY WRA	DATE 11-11-08	
		MATERIAL HDPE	WEIGHT 208 ±8 GMS	TITLE TITLE 2.5 LITER HANDLEWARE 45MM NECK
			OVERFLOW CAPACITY 2476 ±24 CC.	ENG. NO. T17-1 WORKS WITH T16-1
			NECK FINISH 45 MM CUSTOM	DRAWING NO. D08-046 SCALE FULL AND NOTED
XXX 1	001	ANGLES ±	1°	REV. B
XXX 2		FINISH		
EWX xxx				