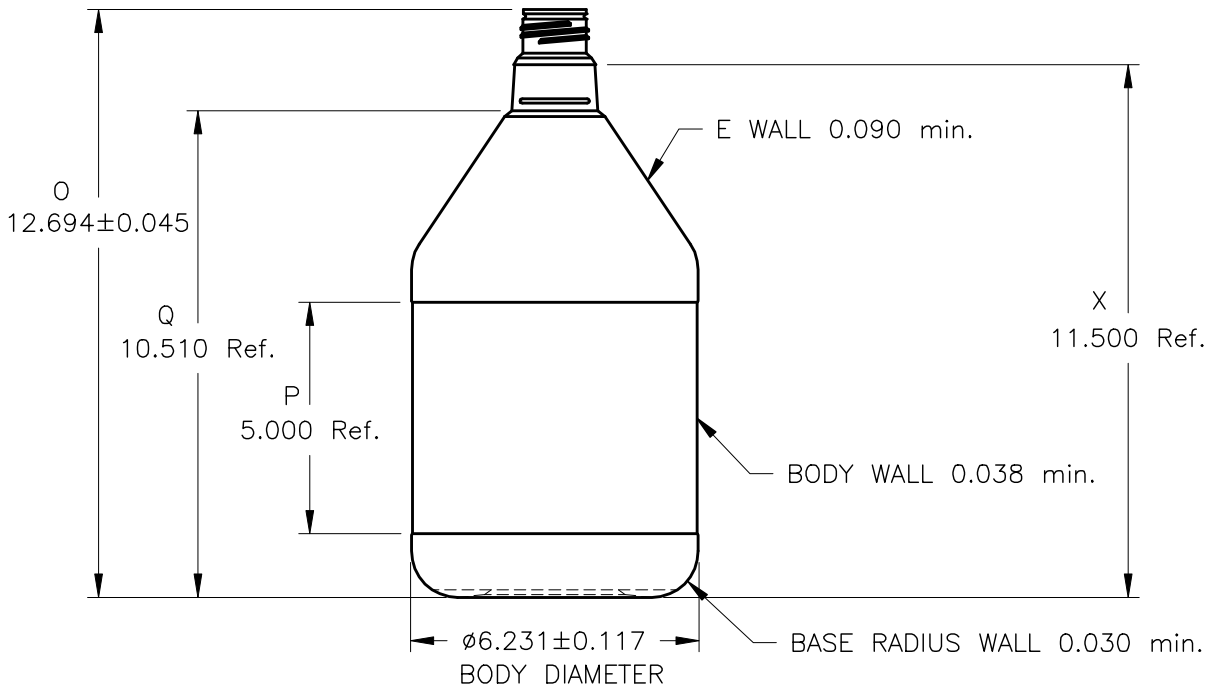
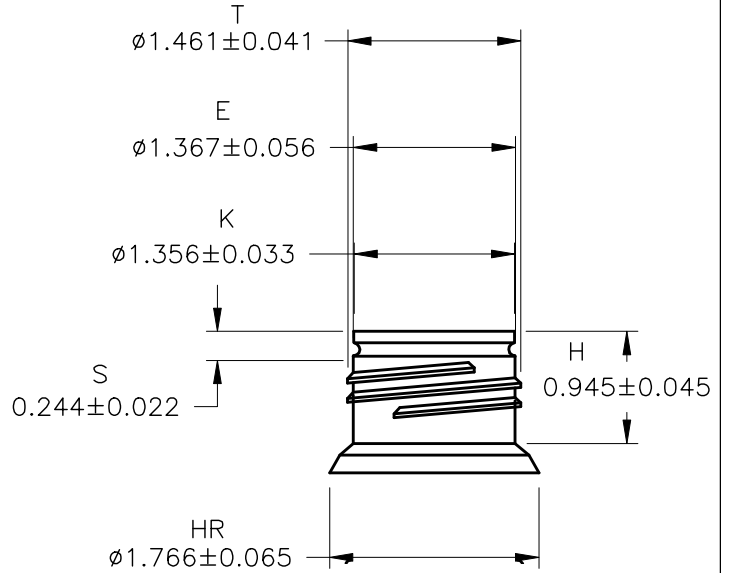
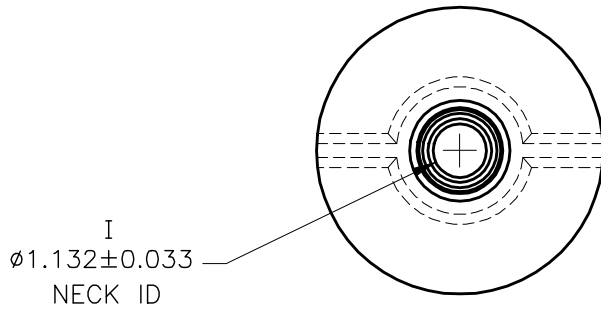


REV	DATE	DESCRIPTION
-----	------	-------------



NOTES:

1. CONTAINER WEIGHT: 190 GRAMS  $\pm$  5 GRAMS
2. MATERIAL: EQUISTAR LR 7340, NATURAL
3. OVERFLOW CAPACITY: 4.409 L
4. LAND FLATNESS 0.015 max.
5. TAIL SCAR 0.075 min.

THIS DRAWING AND THE INFORMATION CONTAINED THERE IN IS THE SOLE PROPERTY OF PUREPAK TECH. ANY REPRODUCTION IN PART OR WHOLE WITHOUT THE WRITTEN PERMISSION OF PUREPAK TECH. IS PROHIBITED.	REVISION	<b>PurePak Technology Corporation</b> 324 South Bracken Lane, Suite 3, Chandler, AZ 85224		
	REV. _____ DATE: _____ APPRD. _____	ALL DIMENSIONS IN INCHES UNLESS OTHERWISE SPECIFIED: DECIMALS: X.XX $\pm$ .010 X.XXX $\pm$ .005 X.XXXX $\pm$ .002	DESCRIPTION: 9 PINT BETA BOTTLE 38-439 NECK FINISH	
	SHEET 1 OF 1	APPRD. _____ SCALE: 1:4	DRAWN BY: MSR	DATE: 9/5/07