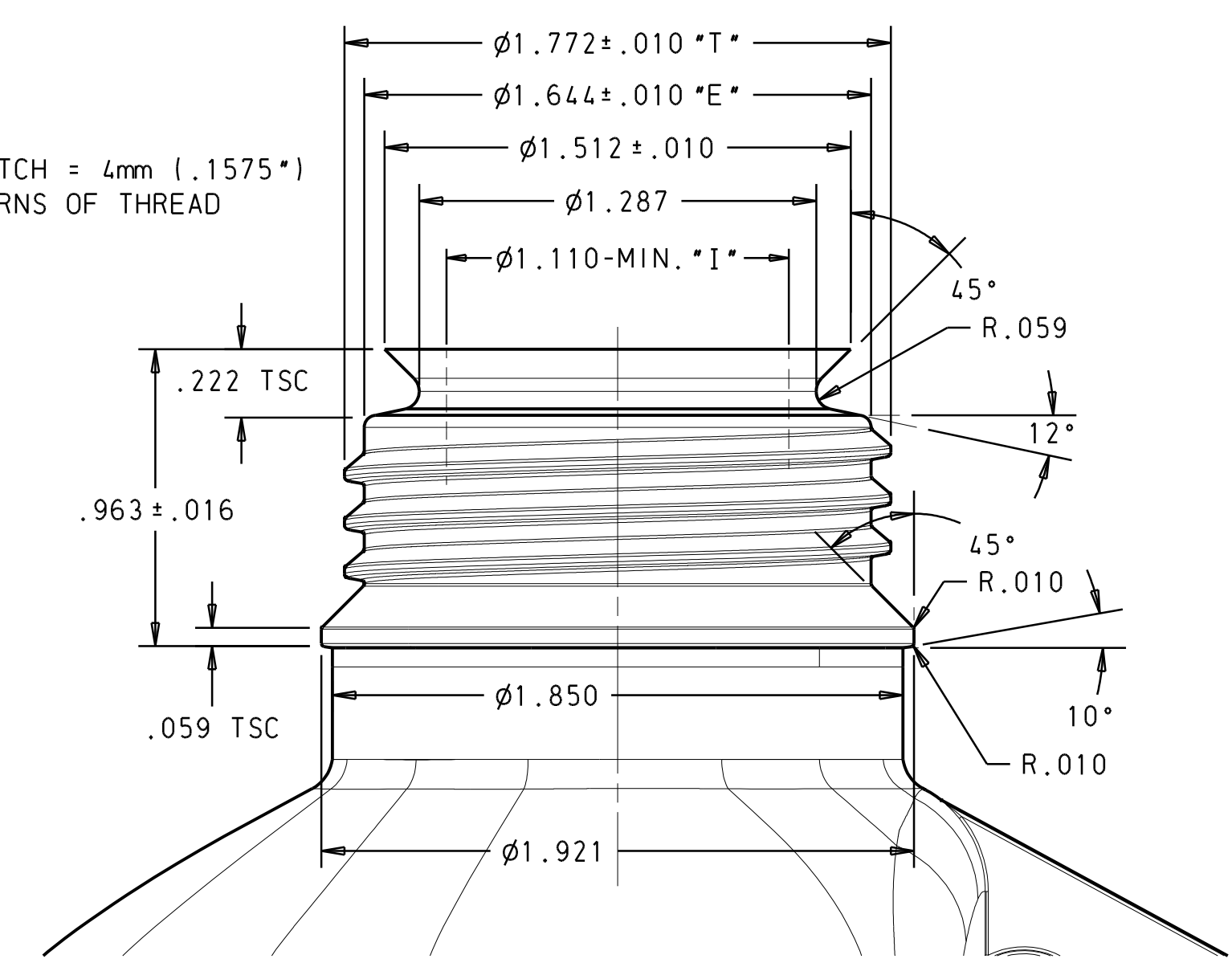


THREAD PITCH = 4mm (.1575")  
3 FULL TURNS OF THREAD

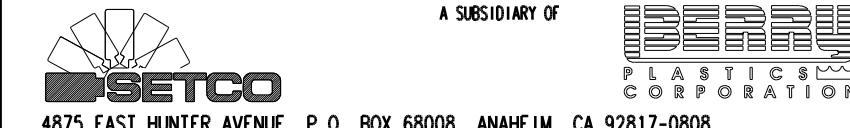


**4.5mm NECK FINISH DETAIL**  
SCALE 2:1

- NOTES:
- 1) MATERIAL- PPO RESIN, NATURAL
  - 2) WEIGHT- 208±8 GRAMS
  - 3) OVERFLOW CAPACITY 2574 ±26ml

NOTE: THIS IS A PRELIMINARY PRODUCT DRAWING. SPECIFICATIONS ARE SUBJECT TO CHANGE.

ALL NECK FINISH DIAMETER DIMENSIONS ARE THE AVERAGE OF TWO MEASUREMENTS TAKEN ACROSS THE MAJOR AND MINOR AXIS. THE LIMITS OF OVALITY ARE (.036)

REFERENCE	THIS DOCUMENT CONTAINS PROPRIETARY INFORMATION AND MAY NOT BE DISCLOSED TO OTHERS OR USED FOR MANUFACTURING PURPOSES WITHOUT WRITTEN PERMISSION FROM SETCO.	DESIGNED BY	DATE	 <p>A SUBSIDIARY OF <b>PLASTICORP CORPORATION</b> 4875 EAST HUNTER AVENUE, P.O. BOX 68008, ANAHEIM, CA 92817-0808</p>	
		BY J.A.	DATE 10-14-10		
MATERIAL	HDPE	WEIGHT	208 ±8 GMS	TITLE	2.6 LITER HANDLEWARE 4.5mm NECK
DIMENSIONS ARE IN INCHES UNLESS SPECIFIED		OVERFLOW CAPACITY	2574 ±26ml	ENG. NO.	
TOLERANCES UNLESS SPECIFIED		NECK FINISH	4.5mm CUSTOM	WORKS WITH:	SCALE FULL AND NOTED
SIZE 1 DR 1 3 1/2 FINC 1	DR 1 FINC 1	ANGLES ± 1° FINISH			
EWR xxx					