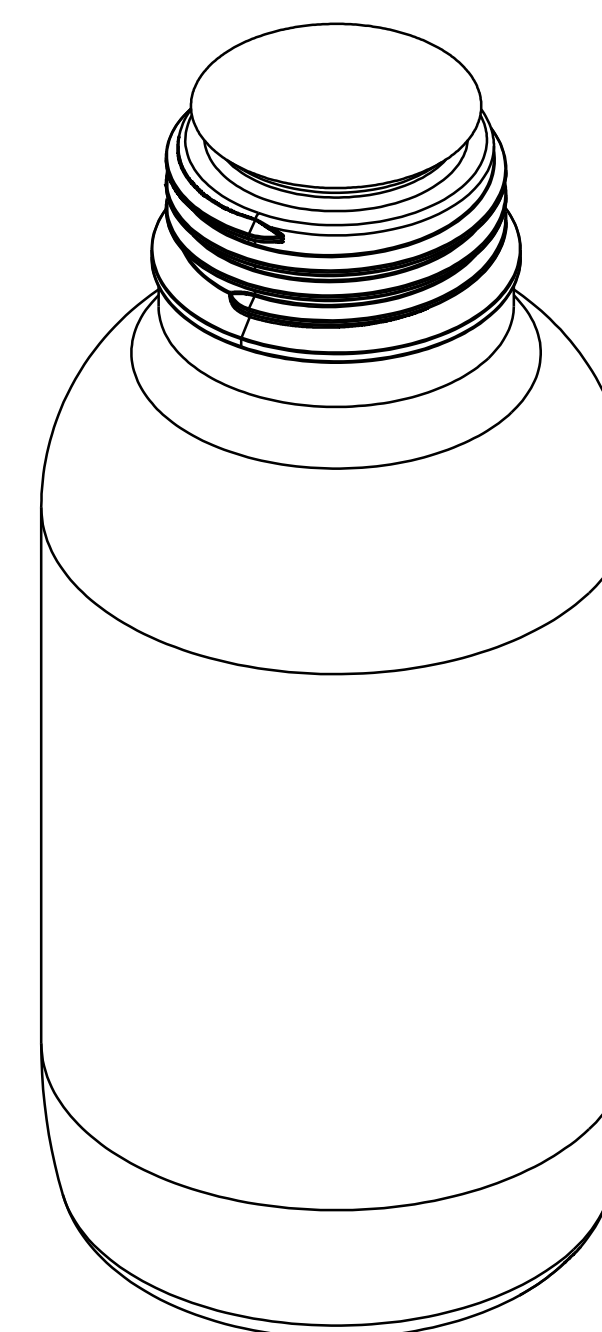
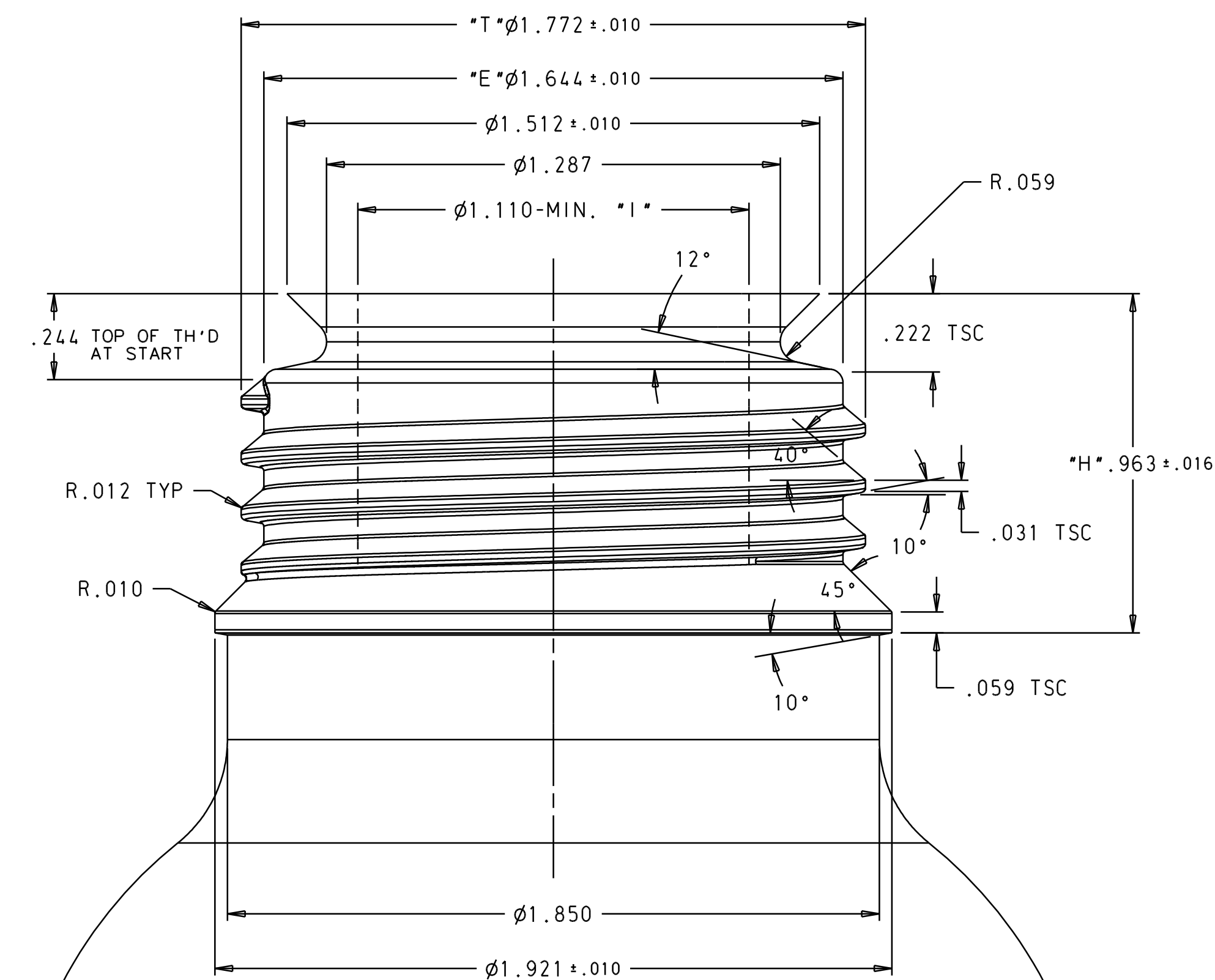


45 mm CUSTOM NECK FINISH DETAIL  
SCALE: 3:1



- NOTES:
- 1) MATERIAL: HDPE
  - 2) WEIGHT: 50.0 ± 2.0 GRAMS
  - 3) OVERFLOW: 621.2 ± 13 cc

THIS DESIGN IS CREATED EXCLUSIVELY FOR USE BY HEISE IND., INC. AND IS COPYRIGHTED MATERIAL AND IS SUBJECT TO THE COPYRIGHT LAWS OF THE U.S.A., CANADA, AND MEXICO. ANY USE OF THIS MATERIAL OTHER THAN THAT SPECIFIED BY HEISE IND., INC. IS PROHIBITED © 2010

A449A0	1st	1	500 ml ROUND	
JOB No.	SET	CAVITY No.		
CAD FILE INFORMATION:			<b>HEISE</b>	
PROJECT: A449A0			<b>INDUSTRIES INC</b>	
DRAWING: A449AOPD1			196 Commerce Street	
MODEL FILE: A449A0_DESIGN_CHUCK			East Berlin	
LIBRARY: -----; LIBRARY-			Connecticut 06023 U.S.A.	
			1-800-928-MOLD	
			PRODUCT DRAWING WITH 45 mm FINISH	
			REVISIONS	
DRW'N. BY: C.J.C. DATE: 7-16-10		SCALE FULL	SHEET OF	
CHK'D. BY: C.J.C. DATE: 7-16-10		DWG.# D-45261		