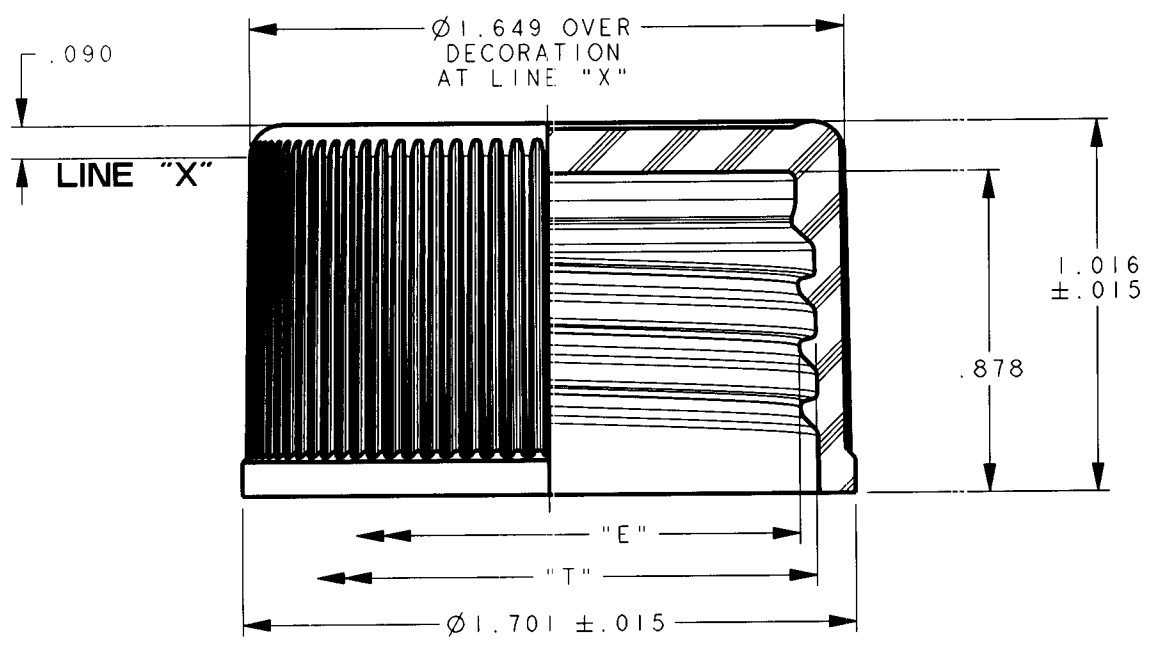


$\varnothing .125^{+.000}_{-.015}$   
OPTIONAL VENT HOLE



"REFERENCE PRODUCT CENTER FOR CURRENT DRAWING"  
UNSCREWING LUG IMPRESSIONS TO APPEAR IN BOTTOM SKIRT OF THE CLOSURE

DIMENSIONS ARE REPRESENTATIVE ONLY. FINAL SIZES TO BE DETERMINED AFTER PART IS MANUFACTURED

[F#] = FUNCTIONAL DIMENSION

NOTICE:  
THIS DRAWING CONTAINS INFORMATION DEEMED PROPRIETARY TO REXAM PLASTIC PACKAGING. THE INFORMATION CONTAINED HEREIN SHALL NOT BE COPIED IN WHOLE OR IN PART WITHOUT THE EXPRESS WRITTEN PERMISSION FIRST OBTAINED FROM REXAM PLASTIC PACKAGING.

MATERIAL	POLYPRO		TOLERANCES UNLESS SPECIFIED	DEC. ±.010 DEGREES ±1°	
GRAM WEIGHT	10.3	REF. ONLY	CI#		
Mold No.	PROD. MJ-410-1A		SAMPLE		
SCALE	2:1		DRAWN	E. F. HAFNER	
DATE	9/25/2000		CHECKED		
<b>REXAM PLASTIC PACKAGING</b>			DRAWING NUMBER		

LINE "C" IS .367 DOWN FROM INSIDE TOP.		
"T" at "C"	1.483	±.007
"E" at "C"	1.389	±.007
TITLE <b>CUSTOMER DRAWING</b>		
<b>38-439 A STOCK ACID CLOSURE</b>		
FOR STOCK		
DRAWING NUMBER		REVISION
<b>QIM-317-4937</b>		

MODEL NAME: im-317-4937

DIRECTORY: stock/prod

2

1

Stock