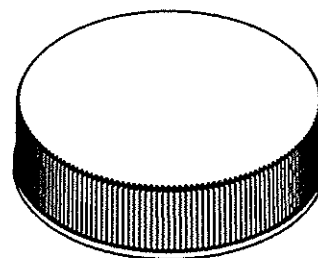
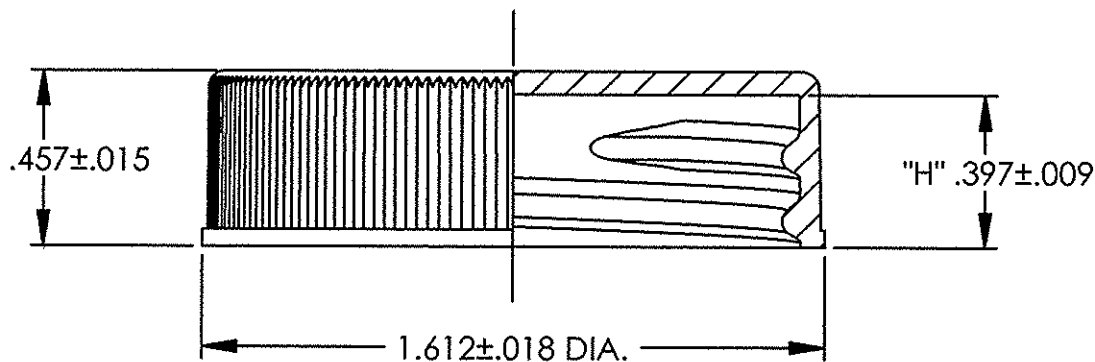
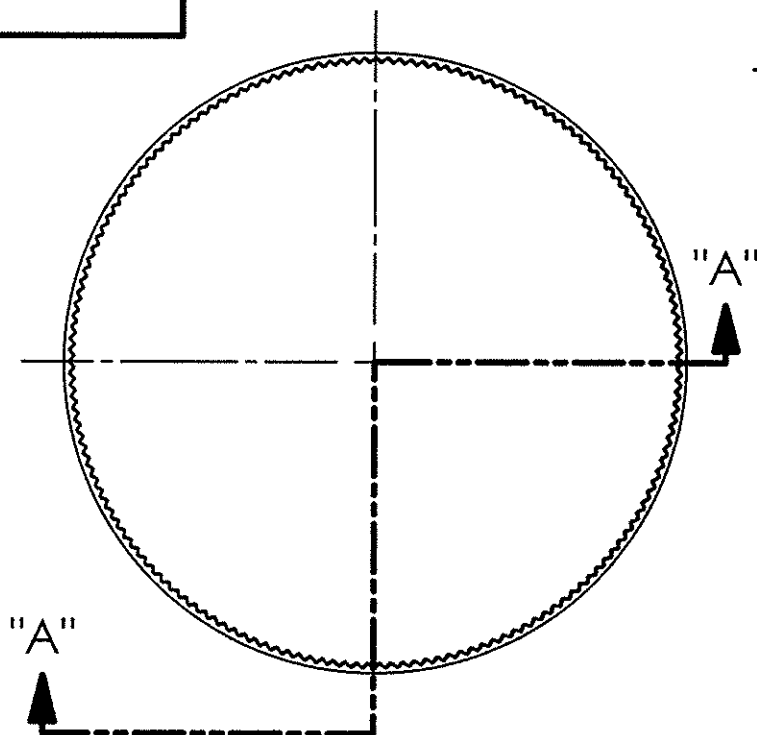


© Drug Plastics & Glass Co., Inc. 2006
 This drawing contains confidential proprietary information and
 may not be copied without the written consent and permission
 of Drug Plastics & Glass Co., Inc. All Rights Reserved.

DRUG PLASTICS & GLASS COMPANY, INC.
 A FAMILY OF PERFECT QUALITY BOTTLEMAKERS
 ONE BOTTLE DRIVE, BOYERTOWN, PA 19512



ISOMETRIC VIEW
 FULL SCALE



SECTION "A" - "A"

Printed 01/16/2009

"T" = 1.484±.007	"E" = 1.390±.007	APPROVED: <i>[Signature]</i> 11-14-06	38 - 400 CONTINUOUS THREAD RIBBED CLOSURE		
WEIGHT: 3.0±.5 GM	MATERIAL: PP	CHECKED BY: <i>[Signature]</i> 11-14-06			
THREAD PITCH: 6 T.P.I.	STANDARDS: <i>[Signature]</i> 11-14-06	SCALE: 2:1	PROPOSAL NO.: -	PRL: -	
NOTE: ALL DIMENSIONS ARE IN INCHES.	DRAWN BY: TRH	06-15-06	DRAWING NO.	SIZE	
DIAMETERS ARE THE AVERAGE OF TWO DIMENSIONS TAKEN 90° APART.			780211-G1		A